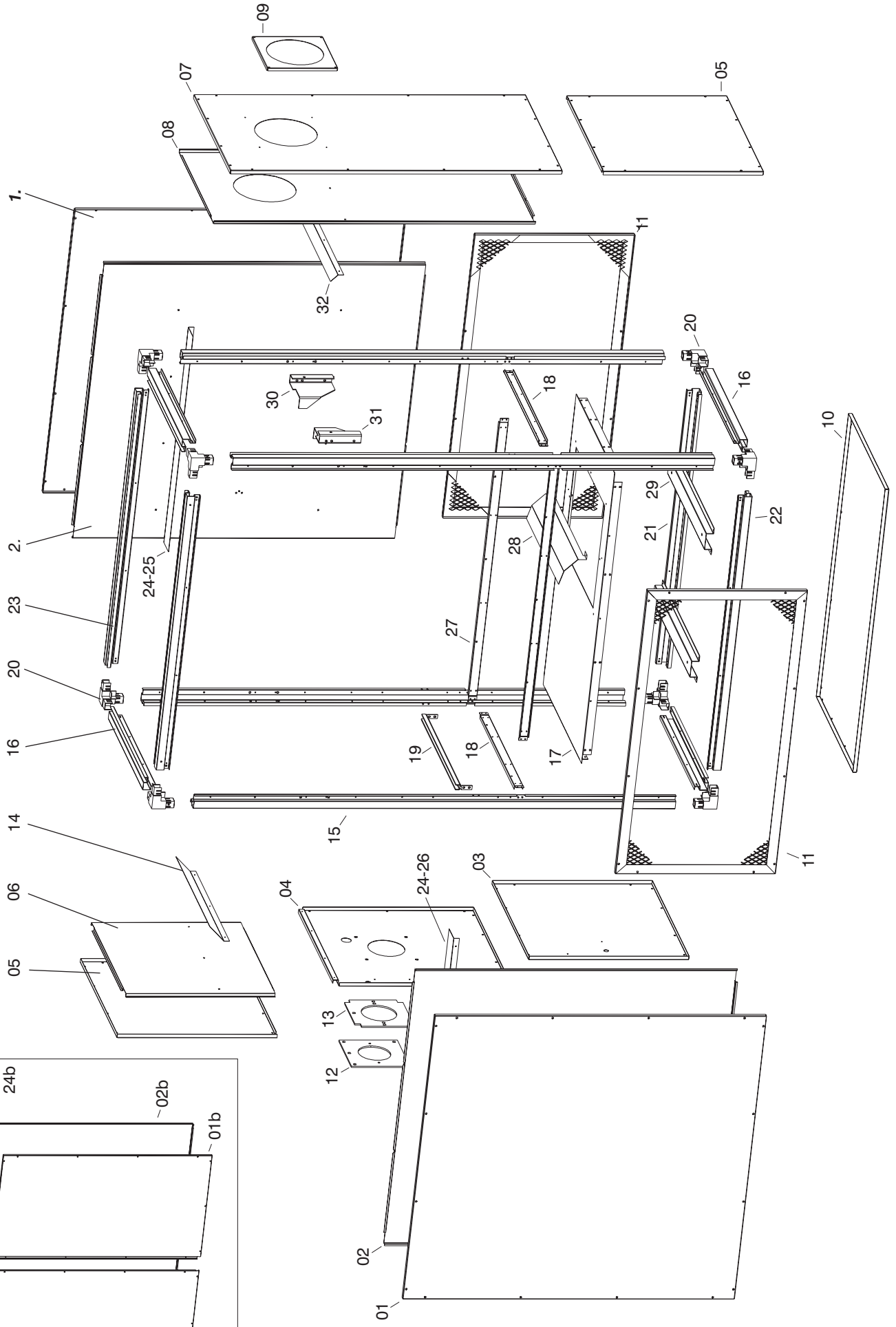
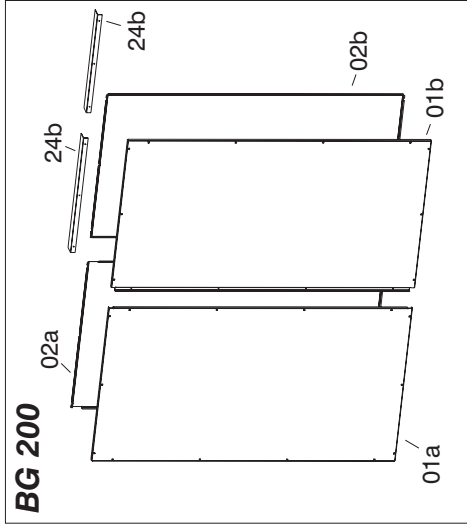
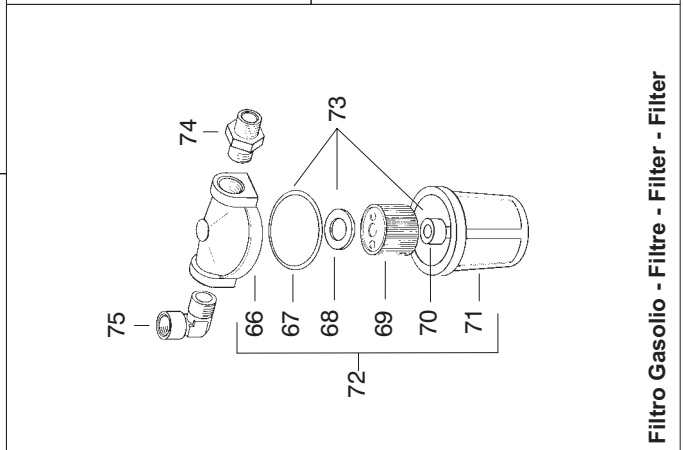
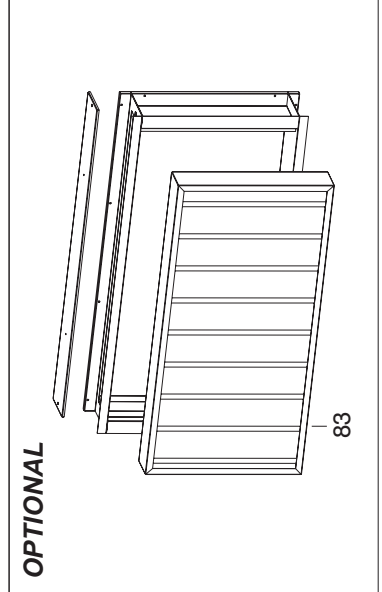
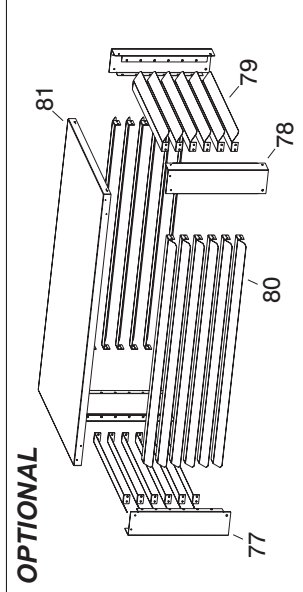
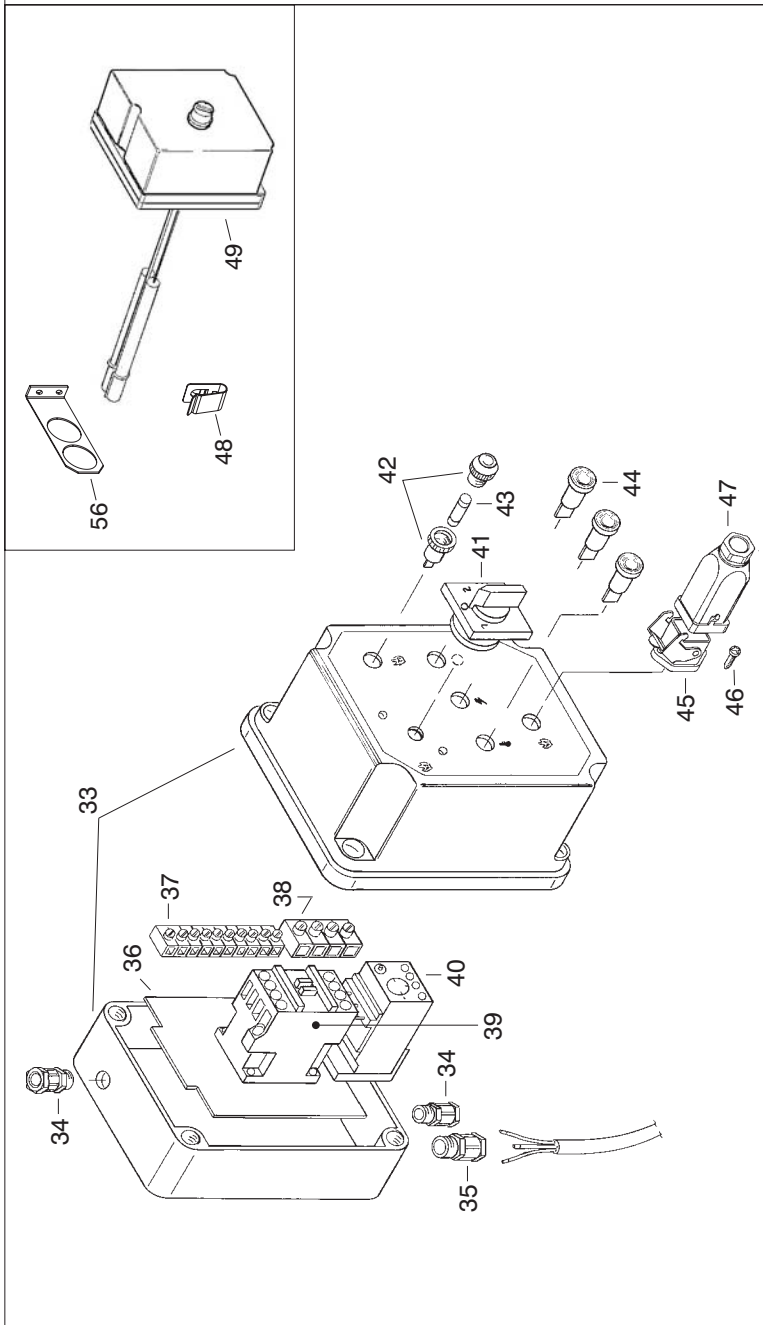
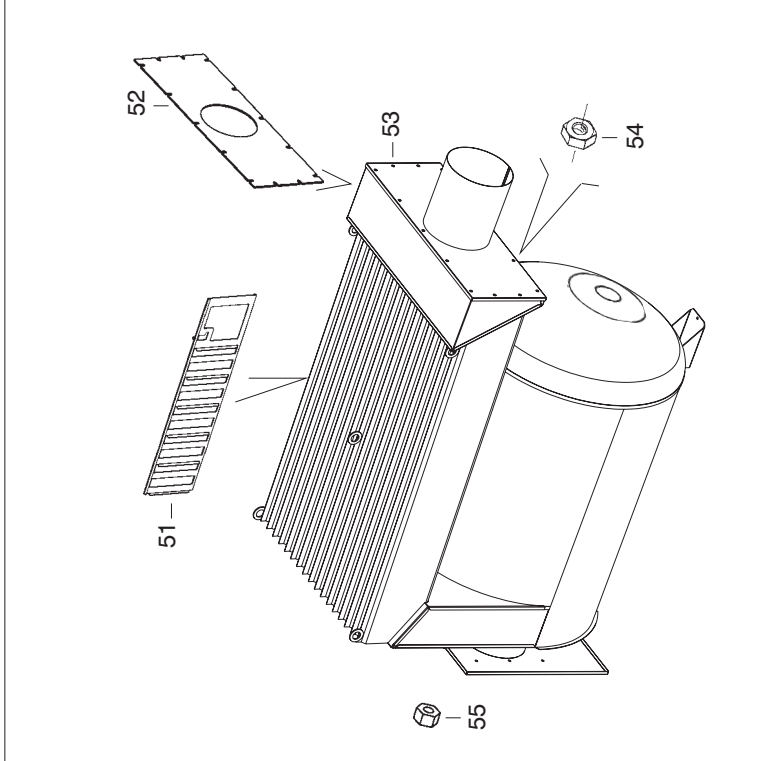
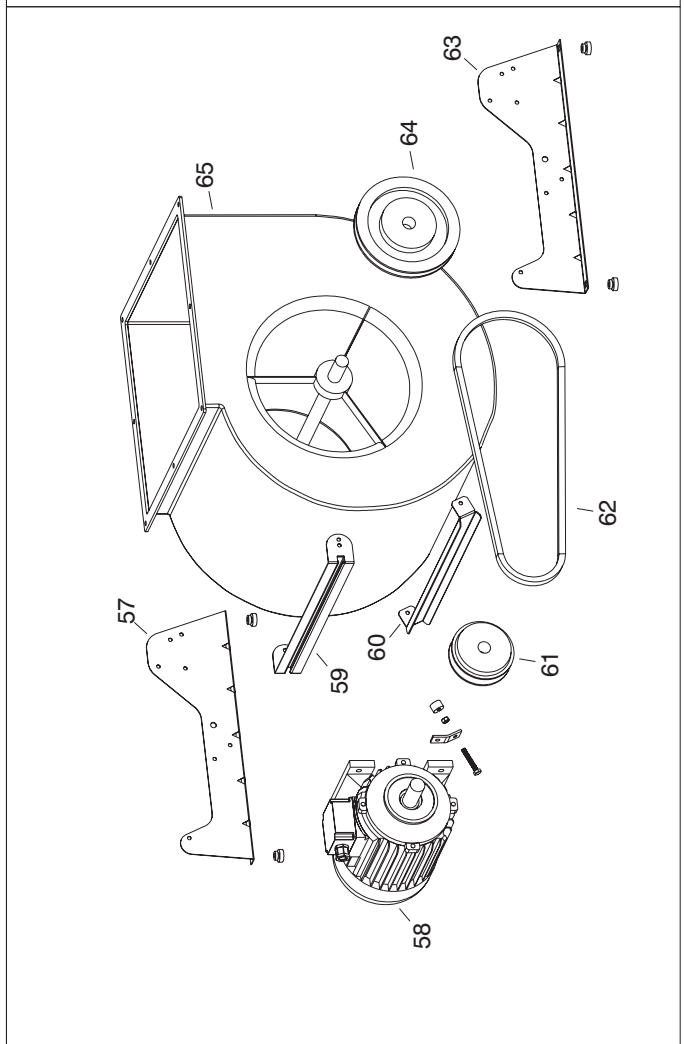


BG 100 BG 150 BG 200





Filtro Gasolio - Filter - Filter



MASTER CABINET HEATERS

MODEL BG 100 / 150 / 200

PARTS LIST

Position	Code	Description	BG 100	BG 150	BG 200
1	S/R	Side panel	•		
1	S/R	Side panel		•	
1a	S/R	Side front panel			•
1b	S/R	Side rear panel			•
2	S/R	Side panel protection	•		
2	S/R	Side panel protection		•	
2a	S/R	Side front protection			•
2b	S/R	Side back protection			•
3	S/R	Front lower panel	•		
3	S/R	Front lower panel		•	
3	S/R	Front lower panel			•
4	S/R	Burner panel	•		
4	S/R	Burner panel		•	
4	S/R	Burner panel			•
5	S/R	Back and front panel	•		
5	S/R	Back and front panel		•	
5	S/R	Back and front panel			•
6	S/R	Front upper protection	•		
6	S/R	Front upper protection		•	
6	S/R	Front upper protection			•
7	S/R	Chimney panel	•		
7	S/R	Chimney panel		•	
7	S/R	Chimney panel			•
8	S/R	Chimney protection	•		
8	S/R	Chimney protection		•	
8	S/R	Chimney protection			•
9	4032.221	Chimney flange Ø200	•	•	•
10	S/R	Lower panel	•		
10	S/R	Lower panel		•	
10	S/R	Lower panel			•
11	S/R	Intel grille	•		
11	S/R	Intel grille		•	
11	S/R	Intel grille			•
12	4032.228	Burner support	•		
12	4032.229	Burner support (for gas version)	•		
12	4032.230	Burner support		•	•
13	4032.029	Burner seal 210x210x5	•		
13	4031.322	Burner seal 250x250x5		•	•
14	S/R	Front deflector	•		
14	S/R	Front deflector		•	
14	S/R	Front deflector			•
15	S/R	Vertical column	•		
15	S/R	Vertical column		•	
15	S/R	Vertical column			•

MASTER CABINET HEATERS

MODEL BG 100 / 150 / 200

PARTS LIST

Position	Code	Description	BG 100	BG 150	BG 200
16	S/R	Short horizontal column	•		
16	S/R	Short horizontal column		•	
16	S/R	Short horizontal column			•
17	S/R	Fan linkage panel	•		
17	S/R	Fan linkage panel		•	
17	S/R	Fan linkage panel			•
18	S/R	Short cross beam	•		
18	S/R	Short cross beam		•	
18	S/R	Short cross beam			•
19	S/R	Cross beam for combust. Chamber	•		
19	S/R	Cross beam for combust. chamber		•	
19	S/R	Cross beam for combust. chamber			•
20	S/R	Aluminium angles	•	•	•
21	S/R	Lower column SX	•		
21	S/R	Lower column SX		•	
21	S/R	Lower column SX			•
22	S/R	Lower column DX	•		
22	S/R	Lower column DX		•	
22	S/R	Lower column DX			•
23	S/R	Upper column	•		
23	S/R	Upper column		•	
23	S/R	Upper column			•
24	S/R	Side deflector SX -DX	•		
24a	S/R	Défecteur latéral antérieur			•
24b	S/R	Défecteur latéral postérieur			•
25	S/R	Side deflector SX		•	
26	S/R	Side deflector DX		•	
27	S/R	Long cross beam	•		
27	S/R	Long cross beam		•	
27	S/R	Long cross beam			•
28	S/R	Deflector for fan	•	•	•
29	S/R	Cross beam fan	•		
29	S/R	Cross beam fan		•	
29	S/R	Cross beam fan			•
30	S/R	Stirrup for combust. chamber SX	•		
30	S/R	Stirrup for combust. chamber SX		•	•
31	S/R	Stirrup for combust. chamber DX	•		
31	S/R	Stirrup for combust. chamber DX		•	•
32	S/R	Back deflector	•		
32	S/R	Back deflector		•	
32	S/R	Back deflector			•
33	4032.280	El. components box	•		
33	4032.281	El. components box		•	•
34	4032.053	Cable fastener PG 9	•	•	•

MASTER CABINET HEATERS

MODEL BG 100 / 150 / 200

PARTS LIST

Position	Code	Description	BG 100	BG 150	BG 200
35	4032.283	Cable fastener PG 13	•	•	•
36	4032.054	Plate for electrical components	•	•	•
37	4032.055	Terminal board 12 el. Mmq 6	•	•	•
38	4032.056	Terminal board 12 el. Mmq 10	•	•	•
39	4032.057	Remote control switch Wimex	•	•	•
40	4032.061	Relay Iskra TRB14 A. 3,8-6,3	•	•	•
40	4032.059	Relay Iskra TRB14 A. 6-10	•	•	•
41	4032.064	Control Knob 1-0-2	•	•	•
42	4032.065	Fuse holder	•	•	•
43	4031.102	Fuse 5x20 A.6	•	•	•
44	S/R	Screw TC 4x1/2"	•	•	•
45	4032.108	Connector plug 3P+T	•	•	•
46	4032.109	Screw TC 4x1/2"	•	•	•
47	4031.089	Connector plug 3P+T	•	•	•
48	4032.226	Clip holder	•	•	•
49	4032.231	Bithermostat IMIT	•	•	•
50	4032.232	Combustion chamber	•		
50	4032.282	Combustion chamber		•	
50	4032.285	Combustion chamber			•
51	4032.070	Baffle plate	•	•	
51	4032.174	Baffle plate			•
52	4032.072	Chimney seal 513x248x5	•		
52	4032.286	Chimney seal 513x248x5		•	
52	4032.175	Chimney seal 671x248x5			•
53	4032.074	Chimney cover	•		
53	4032.287	Chimney cover		•	
53	4032.176	Chimney cover			•
54	4032.075	Nut M6	•	•	•
55	4032.076	Female plug 1"	•	•	•
56	4032.290	Centrifuge air fan		•	
56	4032.291	Centrifuge air fan	•		
57	4032.292	Fan support SX	•	•	
57	4032.293	Fan support SX			•
58	4032.082	Motor HP 2 V.400/50 3Ph	•		
58	4032.166	Motor HP 3 V.400/50 3Ph		•	
58	4032.182	Motor HP 4 V.230-400/50 3Ph			•
59	4032.289	Motor stirrup	•	•	
59	4032.294	Motor stirrup			•
60	4032.295	Reinforced frame	•	•	
60	4032.251	Reinforced frame			•
61	4032.085	Sheave Ø120 Ø24	•		
61	4032.183	Sheave Ø120 Ø28		•	•
62	4032.296	Belt B46	•		
62	4032.297	Belt B52			•

MASTER CABINET HEATERS

MODEL BG 100 / 150 / 200

PARTS LIST

Position	Code	Description	BG 100	BG 150	BG 200
62	4032.298	Belt B48		•	
63	4032.299	Fan support DX	•	•	
63	4032.300	Fan support DX			•
64	4032.184	Sheave Ø200 1B Ø25	•	•	•
65	4032.301	Fan AT 15/15	•	•	
65	4032.191	Fan AT 18/13			•
66	4032.077	Filter head 1/4"	•	•	•
67	4031.150	OR filter	•	•	•
68	4031.075	Upper seal	•	•	•
69	4031.015	Filter cartridge	•	•	•
70	4031.191	Lower seal	•	•	•
71	4031.180	Filter housiong	•	•	•
72	4032.096	Filter 1/4"	•	•	•
73	4111.116	OR kit filter	•	•	•
74	4032.098	Nipple FE 1/4" MM	•	•	•
75	4032.099	Connection 1/4" MF	•	•	•
76	4032.302	4 sides air outlet	•		
76	4032.303	4 sides air outlet		•	
76	4032.304	4 sides air outlet			•
77	4032.305	Side air outlet SX	•		
77	4032.306	Side air outlet SX		•	•
78	4032.307	Side air outlet DX	•		
78	4032.308	Side air outlet DX		•	•
79	4032.309	Short louvre	•		
79	4032.310	Short louvre		•	
79	4032.311	Short louvre			•
80	4032.312	Long louvre	•		
80	4032.313	Long louvre		•	
80	4032.314	Long louvre			•
81	4032.315	Upper panel	•		
81	4032.316	Upper panel		•	
81	4032.317	Upper panel			•
82	4032.318	Air filter box	•		
82	4032.319	Air filter box		•	
82	4032.320	Air filter box			•
83	4032.321	Filter cell	•		
83	4032.322	Filter cell		•	
83	4032.323	Filter cell			•
84	4032.324	Electric control box	•		
84	4032.325	Electric control box		•	
84	4032.326	Electric control box			•

S/R = Parts available by special request only