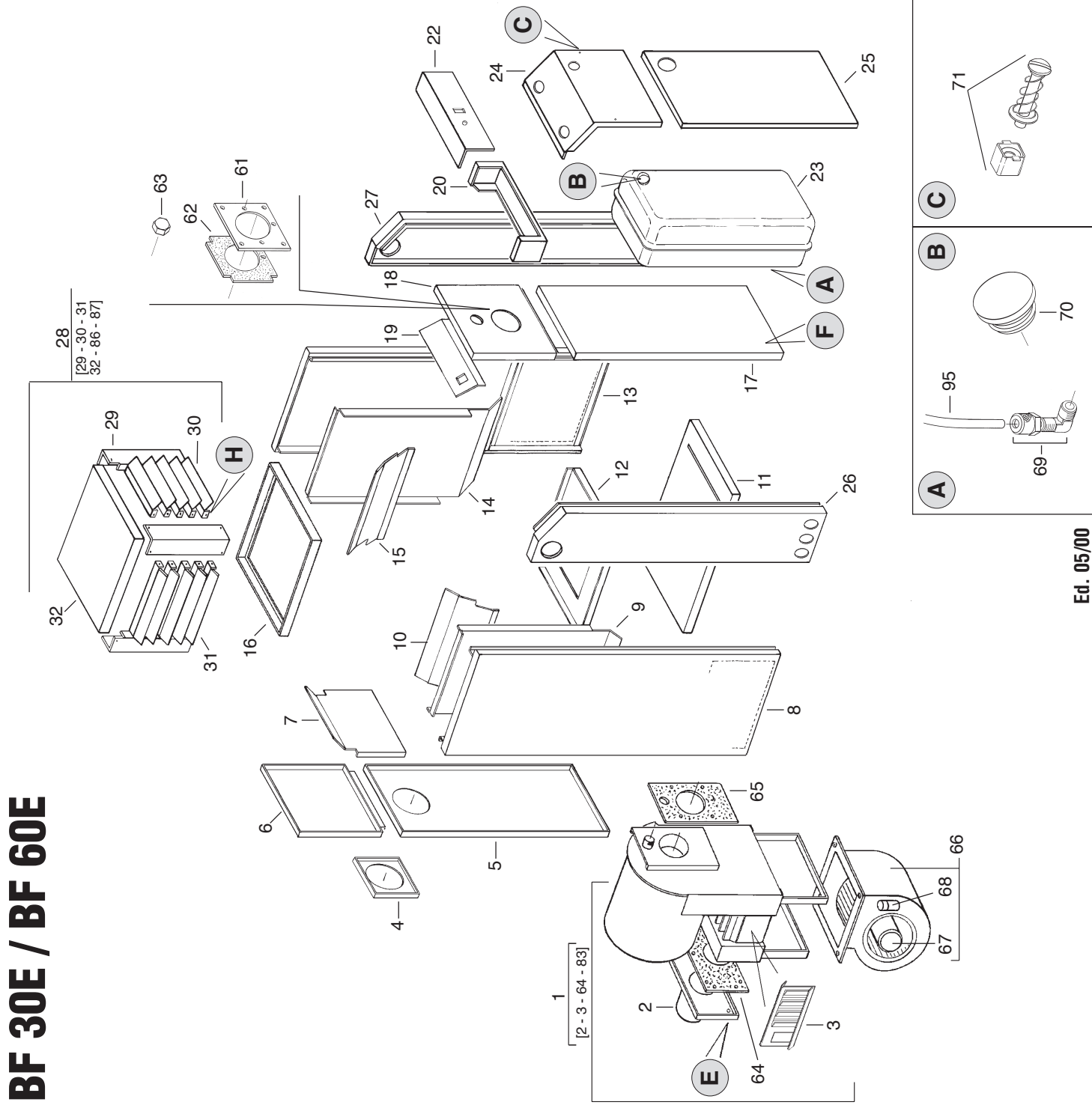
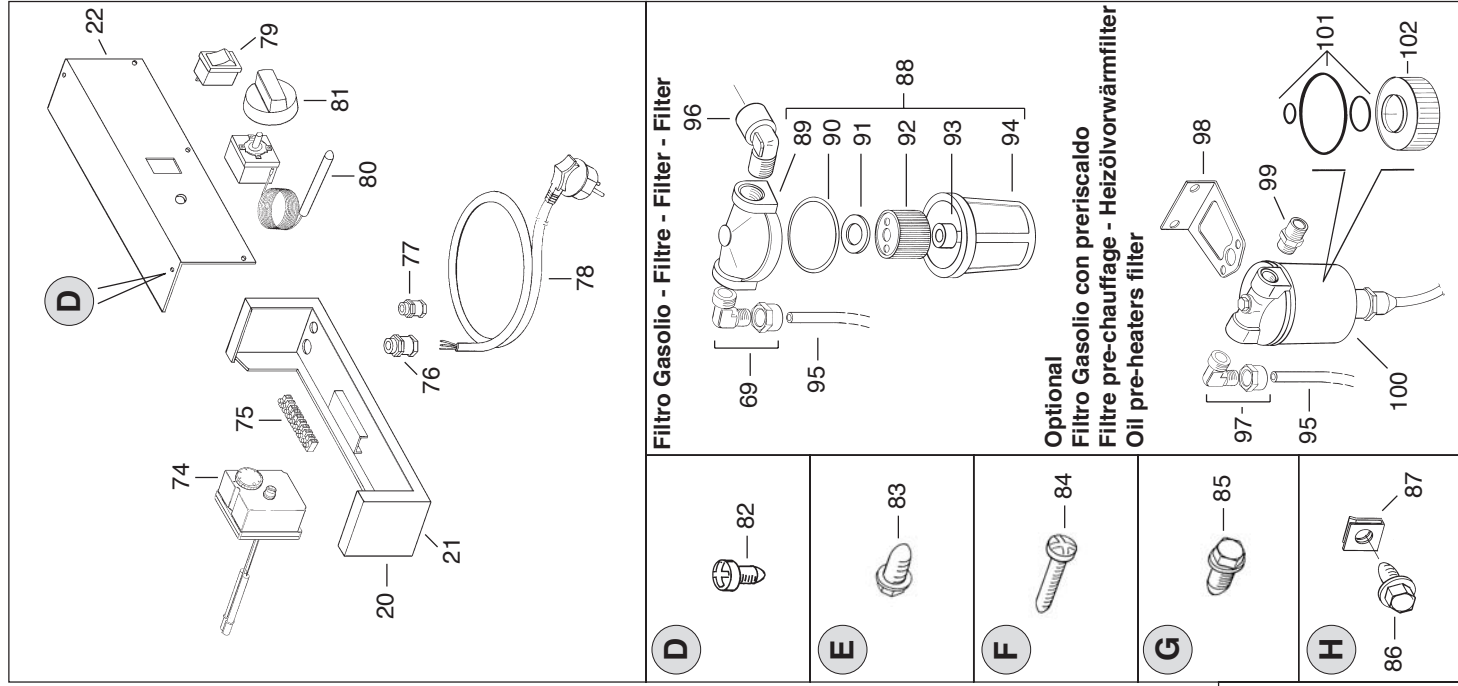


BF 30E / BF 60E



MASTER CABINET HEATERS

MODEL BF 30 / BF 60 E

PARTS LIST

Pos.	Code	Description	BF30	BF60	Pos.	Code	Description	BF30	BF60
1	S/R	Combustion chamber	•		29	4031.376	Angle Air Spread	•	•
1	S/R	Combustion chamber		•	30	S/R	Short fin 383 mm	•	
2	S/R	Inspection door	•		30	S/R	Short fin 473 mm		•
2	S/R	Inspection door		•	31	4031.377	Long fin 473 mm	•	
3	S/R	Baffle plate	•		31	S/R	Long fin 573 mm		•
3	S/R	Baffle plate		•	32	4031.378	Upper panel	•	
4	S/R	Chimney flange Ø 150	•	•	32	S/R	Upper panel		•
5	S/R	Chimney panel	•		61	4031.118	Burner support	•	•
5	S/R	Chimney panel		•	62	4031.201	Thermal insulation	•	•
6	S/R	Upper rear panel	•		63	4032.076	Female plug	•	•
6	S/R	Upper rear panel		•	64	4031.255	Thermal insulation	•	
7	S/R	Rear conveyor	•		64	4032.029	Thermal insulation		•
7	S/R	Rear conveyor		•	65	4031.295	Thermal insulation		•
8	S/R	Left side panel	•		66	S/R	Fan DD 10/8	•	
8	S/R	Left side panel		•	66	S/R	Fan DD 12/9		•
9	S/R	Left inner panel	•		67	S/R	Motor	•	
9	S/R	Left inner panel		•	67	S/R	Motor		•
10	S/R	Left side deflector	•		68	4031.219	Condenser µF 10	•	
10	S/R	Left side deflector		•	68	4031.221	Condenser µF 20		•
11	S/R	Base	•		69	4031.223	Connection 90° 1/4"Mx8	•	•
11	S/R	Base		•	70	S/R	Tank plug	•	•
12	S/R	Fan panel	•		71	4031.224	Cover pin	•	•
12	S/R	Fan panel		•	74	4031.207	Bithermostat	•	•
13	S/R	Right side panel	•		75	4032.055	Terminal board 12 el. mmq	•	•
13	S/R	Right side panel		•	76	4032.052	Cable fastener PG 11	•	•
14	S/R	Right inner panel	•		77	4032.053	Cable fastener PG 9	•	•
14	S/R	Right inner panel		•	78	S/R	Power cord	•	•
15	S/R	Right side deflector	•		79	4031.225	Control knob	•	•
15	S/R	Right side deflector		•	80	4031.243	Thermostat	•	•
16	S/R	Upper panel	•		81	S/R	Thermostat knob complete	•	•
16	S/R	Upper panel		•	82	S/R	Screw TC 8x3/8"	•	•
17	S/R	Bottom front panel	•		83	S/R	Screw TE 14x5/8" FR	•	•
17	S/R	Bottom front panel		•	84	S/R	Screw TC 8x1"	•	•
18	S/R	Burner panel	•		86	S/R	Screw TE 10x1/2" FR	•	•
18	S/R	Burner panel		•	87	S/R	Nut	•	•
19	S/R	Front conveyor	•		88	4031.071	Filter	•	•
19	S/R	Front conveyor		•	89	4032.077	Filter cover	•	•
20	S/R	Electrical drawer support	•		90	4031.150	OR	•	•
20	S/R	Electrical drawer support		•	91	4031.075	Seal	•	•
22	S/R	Cover	•		92	4031.015	Filter cartridge	•	•
22	S/R	Cover		•	93	4031.191	Lower filter	•	•
23	S/R	Fuel tank	•	•	94	4031.180	Filter housing	•	•
24	S/R	Carter burner	•		95	4031.002	Rilsan pipe Ø 8	•	•
24	S/R	Carter burner		•	96	4031.222	Connection 90° G 1/4" M-F	•	•
25	S/R	Lower panel carter	•		97	S/R	Connection 90° 3/8"Mx8	•	•
25	S/R	Lower panel carter		•	98	4031.122	Filter support	•	•
26	4031.375	Right side panel	•		99	4032.104	Nipple 3/8"- 1/4"	•	•
26	S/R	Right side panel		•	100	4031.120	Oil pre-heaters filter 3/8"	•	•
27	S/R	Left side panel	•		101	4111.116	OR KIT filter	•	•
27	S/R	Left side panel		•	102	4031.179	Filter cartridge	•	•
28	4032.288	Air spread to 4 ways	•						
28	S/R	Air spread to 4 ways		•					

S/R = Parts available by special request only